



The **EPIC** is an in-line spring loaded poppet-type check valve that is designed to be simple, rugged, and efficient in any flow orientation. It is streamlined so that media flows through the valve over smooth contoured surfaces with a minimum change in direction. This minimizes the pressure drop across the valve. The **EPIC** features a complete drop in Replaceable Insert that is engineered for silent operation. The valve closes quickly and smoothly to minimize fluid hammer.

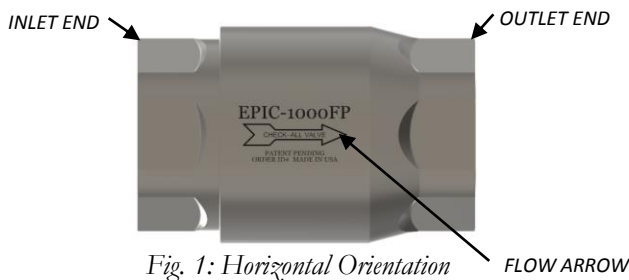
The following instructions are meant as a guideline only. They do not cover every situation and rely on the common sense and expertise of the person installing the valve. See also [epiccheckvalves.com](http://epiccheckvalves.com) and click on our **EPIC** YouTube link for an Assembly /Disassembly video. In no way is Check-All® liable for any damage to the valve, the system, or for personal injury resulting from use of these guidelines.

**INSTALLATION**

Prior to installation remove any end caps and inspect the valve(s) for any damage, internal debris or loose parts that may have occurred during shipment.

Orient the valve so the FLOW ARROW is pointing in the direction of desired flow (*Fig. 1*). From the closed position the POPPET moves away from the SEAT in the direction of flow (*Fig. 2*).

Connect the valve inlet and outlet to the system. **Care should be taken to prevent disassembling the valve body.** After the valve has been installed verify that it is properly supported to prevent additional loading on the valve body.



*Fig. 1: Horizontal Orientation (Example Only)*

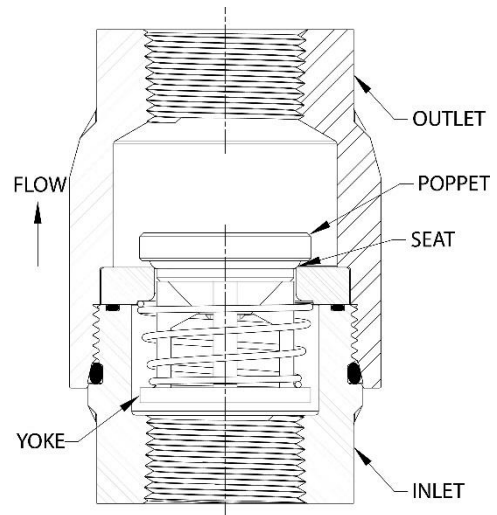
**REMOVAL**

To avoid personal injury, take appropriate precautionary measures if the system contains hazardous materials. Discharge, depressurize, and drain the surrounding system prior to removing the valve from service. If the media within the system is

colder or hotter than room temperature allow the valve to return to room temperature before removing from the system.


While holding the valve ends disconnect it from the system. **Care should be taken to prevent disassembling the valve body.**

Clean the valve to remove any thread sealant, tape, debris and/or hazardous materials prior to performing maintenance, inspection and/or re-installation.



*Fig. 2: Vertical Flow Up Orientation (Example Only)*

**Table 1**

EPIC Kits	
Valve Part Number	Replaceable Insert Kit Part Number
EPIC-0125, all styles EPIC-0250, all styles EPIC-0375MP EPIC-0375FT EPIC-0375DF	EPIC-RKD
EPIC-0375FP EPIC-0500MP EPIC-0500DF EPIC-0500FT	EPIC-RKF
EPIC-0500FP EPIC-0750MP EPIC-0750DF EPIC-0750FT	EPIC-RKH
EPIC-0750FP EPIC-1000MP EPIC-1000DF EPIC-1000FT	EPIC-RKI
EPIC-1000FP EPIC-1250MP	EPIC-RKJ
Scan here for Online Ordering	 Insert kits come with a replaceable insert, insert o-ring, and body o-ring



**DISASSEMBLY**

Orient the valve to the VERTICAL FLOW UP position (Fig. 2). Hold the Inlet End and unthread the OUTLET from the INLET and set aside (Fig. 3).

Remove the REPLACEABLE INSERT from the INLET (Fig 3). Clean to remove any debris that may be present. Inspect the SEAT (Fig. 2) for debris, dings, scratches and/or tears. Replace as needed (See Table 1 for Insert Kits).

Remove the INSERT O-RING from the INSERT GROOVE (Fig. 3) and replace.

Remove the BODY O-RING from the BODY GROOVE (Fig 3) and replace.

Clean the INLET and OUTLET to remove any thread sealant, tape, debris and/or hazardous materials that may be present.

**ASSEMBLY**

Orient the INLET to the VERTICAL FLOW UP position. Insert the BODY O-RING into the BODY GROOVE (Fig 3). Verify that the o-ring is positioned correctly in the groove and is free from debris, dings, scratches and/or tears.

Place the INSERT O-RING into the INSERT GROOVE (Fig 3). Verify that the o-ring is positioned correctly in the groove and is free from debris, dings, scratches and/or tears.

Place the REPLACEABLE INSERT onto the INLET face so that the YOKE goes inside of the INLET and the POPPET is exposed (Fig 2 & 3). Note: The Replaceable Insert will self-center within the INLET and OUTLET when assembled.

**CAUTION: The Replaceable Insert can be installed backwards which will prevent flow and/or result in damage to the valve. VERIFY THAT THE REPLACEABLE INSERT IS INSTALLED CORRECTLY BEFORE PROCEEDING.**

Hold the INLET stationary in the VERTICAL FLOW UP position. Tighten the two body components to the appropriate torque for your

individual application requirements. (Fig 3). Note: Thread lubricant may be required to prevent thread galling.

**WARNING: DO NOT CHANGE THE VALVE ORIENTATION UNTIL THE VALVE HAS BEEN COMPLETELY ASSEMBLED.**

**CAUTION: Improper seating of components will result in failure of the valve and/or diminish the life of the Replaceable Insert and/or o-rings.**

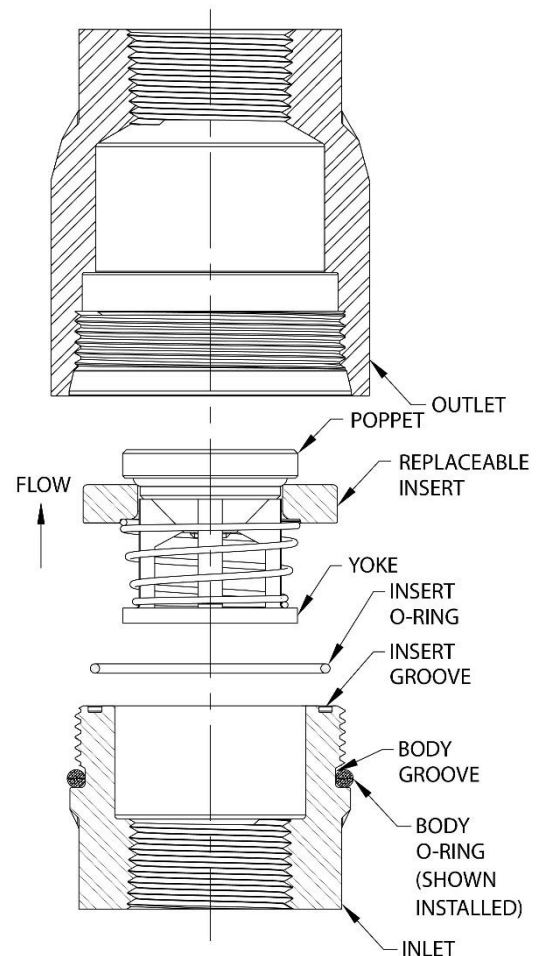


Fig. 3: Expanded Assembly



Scan here for Express Line homepage